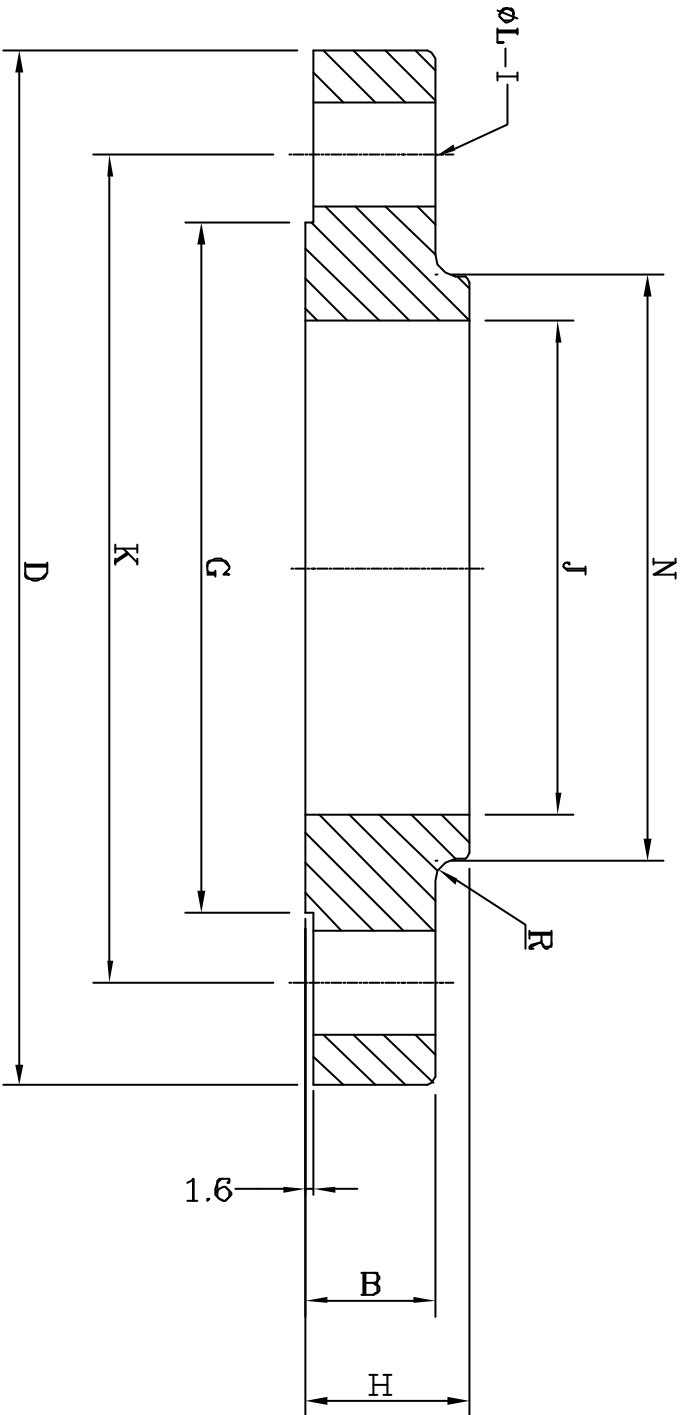


MACHINING DRAWING



SORF	D	J	B	H	N	G	K	L	I
-------------	----------	----------	----------	----------	----------	----------	----------	----------	----------

PRODUCED BY AN AUTODESK EDUCATIONAL PRODUCT

- * ALL DIMENSIONS ARE IN M.M.
- * DO NOT SCALE THE DWG.
- * DIMENSIONS TAKEN ON INTERSECT POINT OTHER WISE SPECIFIED.

MACHINING TOLERANCES				TITLE:-			
UNSPECIFIED DRAFT ANGLE:- AS SHOWN				SLIP ON			
UNSPECIFIED RADII							
LENGTH							
WIDTH							
DRAWN.	NAME	DATE	ROLLWELL FORGE LIMITED	NO.	DATE	DRN.	CHKD.
CHECKED	ANISH	17.06.09	BEHIND G.E.B. SUB STATION,				
APPROVED			SURVEY NO.239/				
			N.E.B HANCOCK-GONDAL HIGHWAY				
			SHAPAR-360 002.				
				CAD			

PRODUCED BY AN AUTODESK EDUCATIONAL PRODUCT