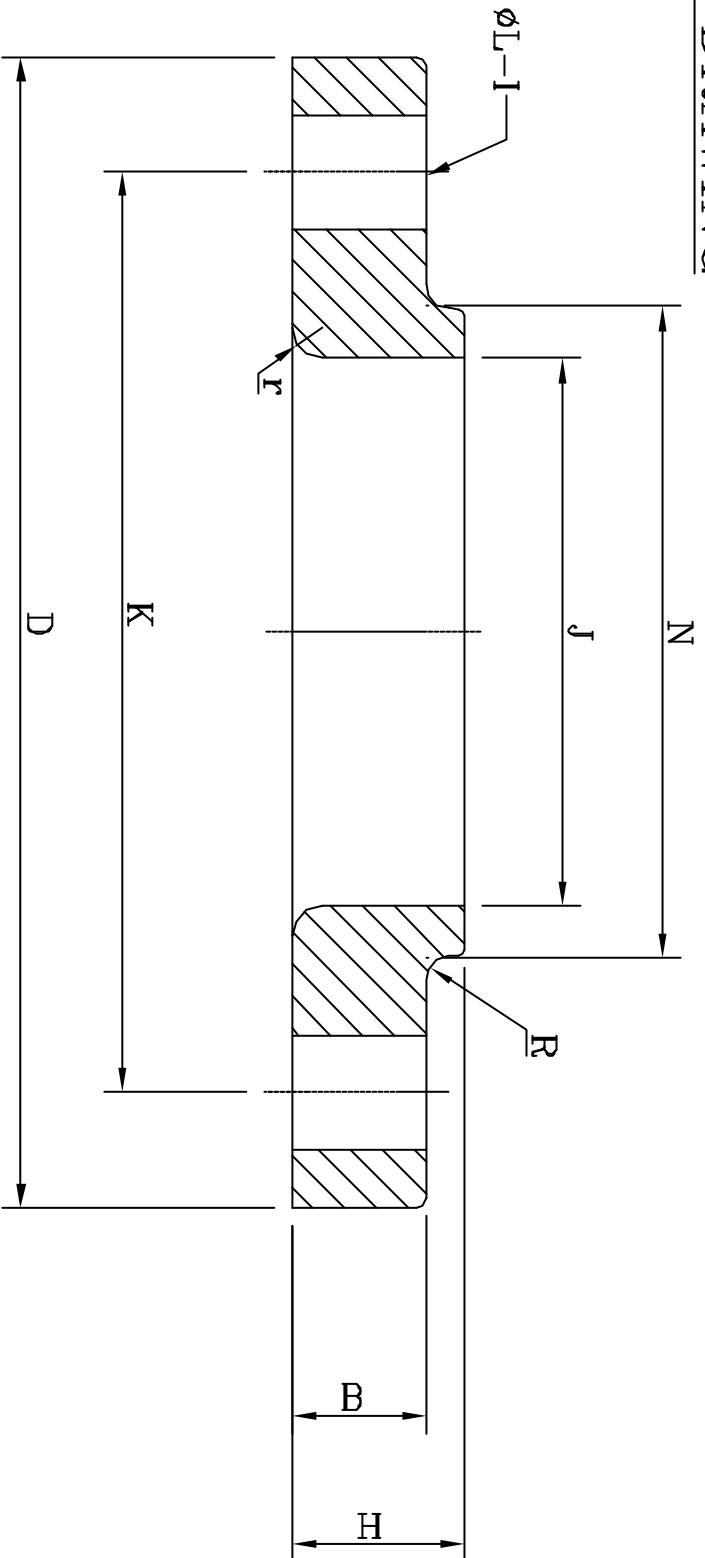


MACHINING DRAWING



LJFF	D	J	B	H	N	r	K	L	I
-------------	----------	----------	----------	----------	----------	----------	----------	----------	----------

PRODUCED BY AN AUTODESK EDUCATIONAL PRODUCT

- * ALL DIMENSIONS ARE IN M.M.
- * DO NOT SCALE THE DWG.
- * DIMENSIONS TAKEN ON INTERSECT POINT OTHER WISE SPECIFIED.

MACHINING TOLERANCES			TITLE:-		
UNSPECIFIED DRAFT ANGLE:- AS SHOWN			LAP-JOINT		
UNSPECIFIED RADI					
LENGTH					
WIDTH			DATE		
DRAWN. ANISH		DATE		ROLLWELL FORGE LIMITED	
CHECKED		17.06.09		BEHIND G.E.B. SUB STATION,	
APPROVED				SURREY NO.239/	
				N.H.9B HALKOT-GONDAL HIGHWAY	
				SHAPAR-360 002.	
				NO. OF	
				DATE	
				DRN.	
				CHKD.	
				CAD	